

FLY12

SPORT

USER GUIDE

Join the Cycliq community

We love being part of the global cycling community.

Our mission is to improve road safety by creating awareness of dangerous road users, incidents and making Cycliq readily available to as many cyclists as possible.

Our vision is to have the most comprehensive road safety network in the world, ultimately making all road users safer, reducing serious incidents and death.

We're doing so by creating a global network of Cycliq users on all major social media platforms, encouraging user engagement by posting footage captured on cycliq, and generating discussions about road safety.

Join the [Cycliq Strava Club](#), and ride with members from around the world today!

 www.upride.cc

 www.youtube.com/cycliq

 www.instagram.com/cycliq

 www.facebook.com/cycliq

 www.twitter.com/cycliq

Subscribe to our newsletter at cycliq.com for all the latest product news.

Contents page

What's in the box	4	Features	22
Read this before using your Fly12 Sport	5	Video resolution	22
Your Fly12 Sport	6	High Dynamic Range (HDR)	22
Register your Fly12 Sport	6	Electronic Image Stabilisation	22
Fly12 Sport layout	7	Looping function	23
Before your first ride	8	Incident protection mode	24
Turning on your Fly12 Sport	8	Manual footage capture	24
Turning off your Fly12 Sport	8	Still image capture	24
Light modes	8	Audio settings	25
Display screen	9	Volume levels	25
Getting to know the display screen	9	Audio alerts	25
Power on/off	9	Heat protection	25
Home screen	10	Cycliq Quick Release System	25
Rotation	11	Idle mode	25
SD card formatting	12	Video segment length	26
Factory reset	13	Using your footage	27
Information screen	13	Accessing your footage	27
Incident protection and image capture	14	Editing footage	27
Other screens	15	CycliqPlus mobile app	28
Setting up your Fly12 Sport	16	Updating your firmware	29
Charging your Fly12 Sport battery	16	Trouble shooting your Fly12 Sport	30
Battery level indicator	16	Technical data	31
Inserting and removing the microSD card	17	Compliance statement	32
Mounting your Fly12 Sport	18	Regulatory information	34
Attaching the safety tether	19		
Changing your Fly12 Sport settings	20		
Visual and audio alerts	21		

What's in the box

- 1 x Fly12 Sport
- 1 x Cycliq 64GB microSD Card (*installed in Fly12 Sport*)
- 1 x Handlebar Mount including bolts
- 1 x 22.2mm Rubber Handlebar Adapter
- 1 x Universal Adapter
- 1 x M5 screw for Universal Adapter
- 1 x USB to USB-C cable
- 1 x Safety Tether
- 1 x Safety information and warranty sheet (*not pictured*)
- 1 x Quick Start Guide (*not pictured*)



Read this before using your Fly12 Sport

Disclaimer

The Fly12 Sport is designed specifically to be used as a 'head light' with video and audio recording capabilities for bicycles.

While every effort has been made to ensure it will fit most bicycles on the market, it may not fit all bicycles, depending on your bike set up. Our handlebar mount has been designed to suit the most common diameter handlebars. Where integrated handlebars and stems or non standard diameter handlebars are used it is possible to mount the Fly12 Sport using a universal adapter and the mounting hardware provided by the manufacturer of your bicycle. Please contact our support team regarding your specific application.

Please note that Cycliq, its subsidiaries and affiliates, and its distributors are not liable for any consequential damages arising from any malfunction of the Fly12 Sport, including memory cards.

Warning against copyright infringement

The images recorded with this camera are intended for personal use. Do not record images that infringe upon copyright laws without the prior permission of the copyright holder. Please be advised that in certain cases the copying of images from performances, exhibitions, or commercial properties by means of a camera or other device may contravene copyright or other legal rights even if the image was shot for personal use.

Safety, operating and care information

The following is important information which relates to the safe operation and care of your Fly12 Sport. For more information, please read your 'Safety Information & Limited Warranty Guide' contained in your accessory box and visit cycliq.com/qsg for more information.

Cautions

- Warning! No modification of this device is allowed. Opening the housing of the Fly12 Sport will damage the water-resistant seal and void your warranty.
- The Fly12 Sport is not a toy: children should not play with the Fly12 Sport.
- Do not look directly at the LED lights when operating.
- Do not immerse the Fly12 Sport in water or any other liquid.
- Avoid dropping or knocking the Fly12 Sport in any way.
- Pay attention when closing the port cover, ensuring it is properly sealed prior to operation.
- No liability can be accepted for any damage caused by non-compliance with these instructions or any other improper use or mishandling.
- The Fly12 Sport has a rechargeable non-replaceable lithium-ion battery. When disposing of this, it should be done in compliance with the laws, rules and regulations of your relevant local authorities.

Your Fly12 Sport

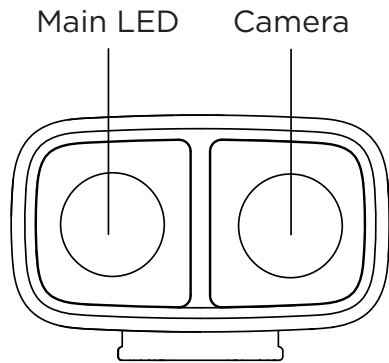
Register your Fly12 Sport

We strongly advise you register your Fly12 Sport with Cycliq, to ensure you receive notifications of firmware updates, feature upgrades and user tips. Registration will also allow us to deliver the fastest possible response should you require technical or warranty support.

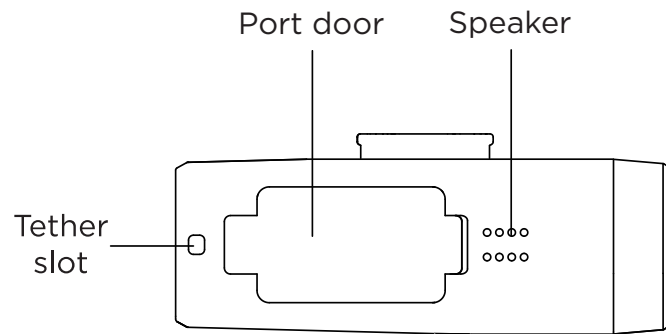
To register your Fly12 Sport, visit cycliq.com/register, or use the CycliqPlus mobile app.

Your Fly12 Sport

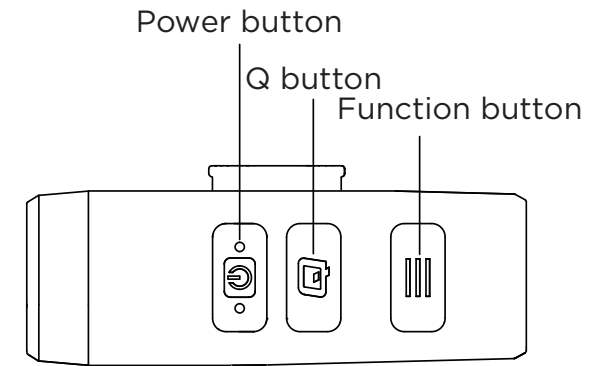
Fly12 Sport layout



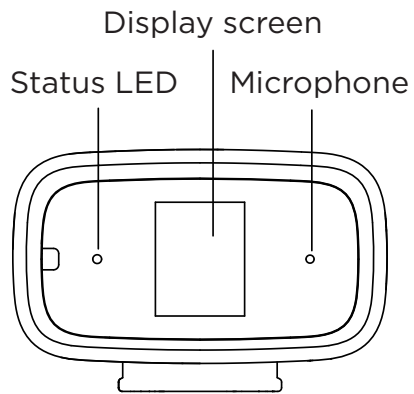
Front



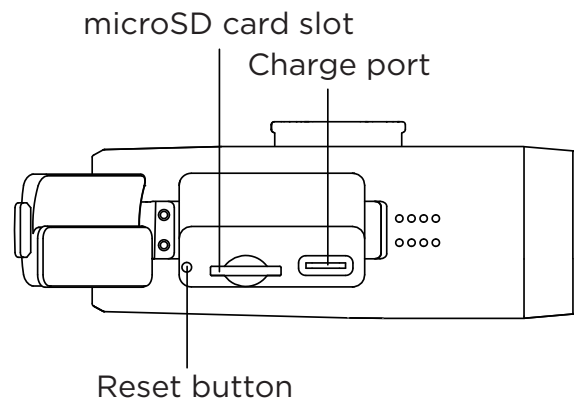
Side (port door closed)



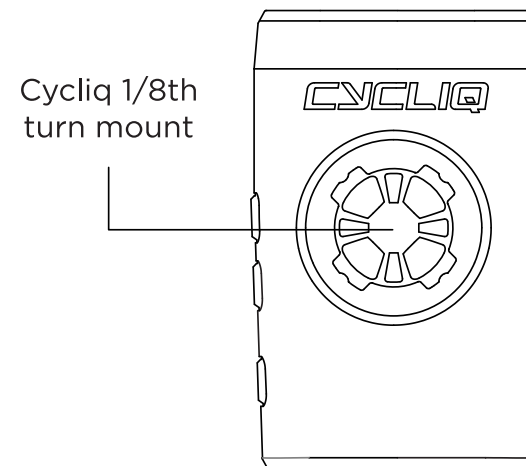
Buttons



Back



Side (port door open)



Bottom side

Your Fly12 Sport

Before your first ride

Please follow these steps before your first ride with your Fly12 Sport.

1. Fully charge your Fly12 Sport - [see page 16](#)
2. Ensure the Fly12 Sport port door is securely closed
3. Ensure the safety tether is correctly attached - [see page 19](#)
4. Ensure the rotation of the display screen is correct - [see page 11](#)
5. Ensure the date and time stamps are correct- [see page 28](#)

Turning on your Fly12 Sport

Press and hold the power button (for approximately 2 seconds) until the power on chime is heard - then release.

Power level 'beeps' will sound, indicating the battery status - *see section on battery level indicators on [page 16](#).*

Turning off your Fly12 Sport

Press and hold the power button (for approximately 2 seconds) until the power off chime is heard then release.

Light modes

You can cycle through the available light modes using the power button.

- **Camera Only** (Main LED off)
- **Solid High** (Main LED solid with high intensity)
- **Solid Low** (Main LED solid with low intensity)
- **Flash High** (Main LED flashing with high intensity)
- **Flash Low** (Main LED flashing with low intensity)
- **Pulse High** (Main LED pulsing with high intensity)
- **Pulse Low** (Main LED pulsing with low intensity)
- **Organic** (Random generation of high and low intensity)

All light modes are available by default on the Fly12 Sport. You can customise the available light modes via CycliqPlus, so only your preferred light modes are available.

Note

To maximise battery life, select a lower intensity light mode and turn off the Fly12 Sport when not in use. The light mode last used will be remembered when the Fly12 Sport is turned off. The next time the Fly12 Sport is turned on it will resume with the previously used light mode.

Please consider the bicycle light regulations in your area when setting up your light modes.

Display Screen

Getting to know the display screen on your Fly12 Sport

The display screen on the back of the Fly12 Sport allows you to control many features and functions with ease. The main functions of the display screen can be toggled by pressing the function button.

1. Power on / off
2. Home screen
3. Rotation
4. SD card formatting
5. Factory reset
6. Information

1. Power on/off

Powering on your Fly12 Sport

Press and hold the power button until the power on chime is heard. The power level 'beeps' will sound indicating the battery status and the Cycliq Q logo will be displayed on the screen.

Powering off your Fly12 Sport

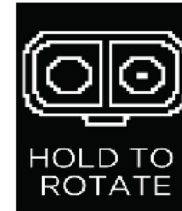
Press and hold the power button until the power off chime is heard. The OLE display screen will show the Cycliq Q logo before powering off.



1. Power on/off



2. Home screen



3. Rotation



4. SD card format



5. Factory reset



6. Information



1. Power on/off

Display Screen

2. Home screen

The home screen is the default display on your Fly12 Sport. When turning on the Fly12 Sport the home screen will be displayed. The screen will also default back to the home screen 30 seconds after any activity.

Bluetooth status

The Bluetooth icon is shown when a Bluetooth connection is established with the Fly12 Sport.

Time

The time on the Fly12 Sport can be adjusted via CycliqPlus. See *section on changing your time setting on [page 28](#)*.

Light mode

The current active light mode is displayed on the home screen. To toggle available light modes press the power button and the new light mode will be shown on the home screen. See *section on light modes on [page 8](#)*.

Battery Status

4 bars = 75% to 100% charged

3 bars = 50% to <75% charged

2 bars = 25% to <50% charged

1 bar = 1% to <25% charged



Display Screen

3. Rotation

The rotation screen shows the orientation your Fly12 Sport is set to record in. If the hold to rotate prompt is displaying upside down, rotate the screen so the text reads correctly.

Changing rotation

To rotate the orientation of your Fly12 Sport, press and hold the function button (for approximately 3 seconds).

Correct rotation

To ensure you have the correct rotation set up, use the two options as a guide.

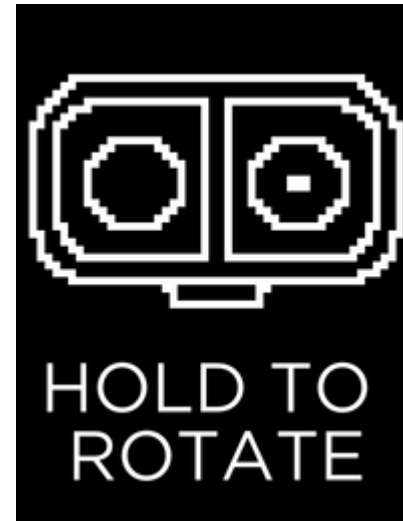
1. Fly12 Sport mounted above your handlebars
2. Fly12 Sport mounted below your handlebars

Note

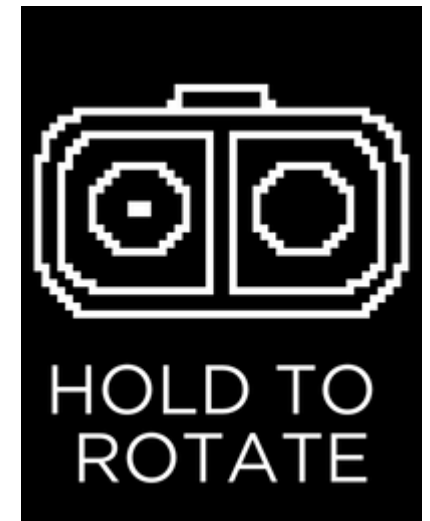
If your Fly12 Sport screen looks like the below illustration when attached to your bike, press and hold the function button to adjust the rotation.



CYCLIQ



1. Above handlebars



2. Below handlebars

Display Screen

4. SD card formatting

Caution

Please note formatting your microSD card will permanently remove all previously recorded incidents - including any previously locked files.

Formatting your microSD card

To format your microSD card, press and hold the function button until a five second countdown appears. Continue to hold the function button during the countdown until the success message is shown, then release the function button.

Success

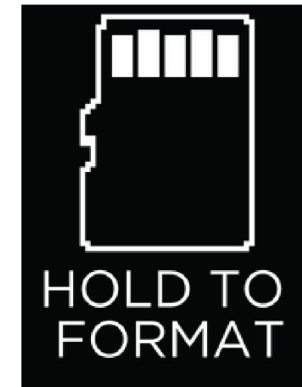
When your microSD card is formatted correctly, this screen will be shown for two seconds, before returning to the home screen.

Format fail

This screen will be shown if your microSD card can not be formatted. This could be due to a corrupt or damaged microSD card.

No SD card

If there is no microSD card installed, or it is not correctly installed this screen will be shown.



Display Screen

5. Factory reset

To reset your Fly12 Sport

To reset your Fly12 Sport back to factory default settings press and hold the function button. A five second countdown will appear - continue to hold the function button during the countdown and release the button when the Fly12 Sport turns off. The Fly12 Sport will then turn itself back on and the reset is complete.

Note

Resetting your Fly12 Sport back to factory settings will reset the light mode by default to organic and the camera mode to 1440p @30fps.



6. Information screen

Allows you to view the firmware version installed on your Fly12 Sport and your serial number.



Display Screen

7. Incident protection and image capture

Incident protection

Incident protection mode has been designed to automatically lock files containing incidents so that they are not recorded over. Incident protection mode is activated when the Fly12 Sport is tilted more than 60° from vertical for more than five seconds. [Learn more about incident protection mode on page 24.](#)

The incident screen is displayed to show your incident has automatically been saved and files locked.

Manual footage capture

If you witness an event that you want to capture, simply press the Q button. This will lock the current and preceding video segments.

The manual lock icon will be shown to confirm the incident has been saved and files locked. [Learn more about manual footage capture on page 24.](#)

Still image capture

The Fly12 Sport can take still images while recording video. You can capture a still image by pressing and holding the Q button (for approximately 3 seconds). The camera icon will be shown to confirm the image has been saved. [Learn more about capturing still images on page 24.](#)



Incident protection mode confirmation



Manual footage confirmation



Still image capture confirmation

Display Screen

8. Other screens

Charging

Displayed when the Fly12 Sport is powered off and connected to a power source. Each bar represents 25% battery life.

- 4 bars = 75% to 100% charged
- 3 bars = 50% to <75% charged
- 2 bars = 25% to <50% charged
- 1 bar = 1% to <25% charged

Mass Storage

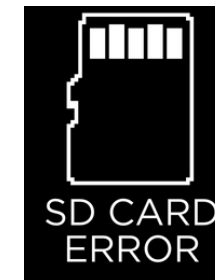
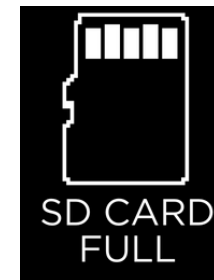
Shown when your Fly12 Sport has a microSD card installed and is connected to a desktop.

Mass Storage with no microSD card

Shown when you Fly12 Sport has NO microSD card installed and is connected to a desktop.

SD card errors

Will flash on the display when turning on your Fly12 Sport if any issues are detected.



Setting up your Fly12 Sport

Charging your Fly12 Sport battery

Your Fly12 Sport comes partially charged. Before using it for the first time, please charge fully.

To charge:

- Connect your Fly12 Sport to a USB power adapter (not supplied) using the supplied USB cable.
- The indicator light will illuminate red showing the Fly12 Sport is charging.
- The indicator light will illuminate green when the Fly12 Sport is fully charged.

You can charge your Fly12 Sport using the USB cable provided and your computer however, charging via your computer will significantly reduce the rate of charge. For the quickest charge, use a USB power adapter that supports USB fast charge (5V @ 2A).

Note

The Fly12 Sport is fast charge compatible and accepts up to 2 amps. Accordingly, the time to charge from flat to fully charged varies from 2.5 to 8 hours depending on the method of charging, i.e. mains power USB at 2 amps (not supplied) or computer USB (at as little as 0.5A). Battery life will diminish over time and with charge cycles.

Battery level indicator

When turning on your Fly12 Sport, an audible battery status will sound alerting you to the current battery level. This allows you to determine if you have enough power to record your planned ride.

Additionally, you can view the current battery level of your Fly12 on the rear display screen - [see page 10](#).

See below for audible and visual notification guide:



4 rapid high pitched beeps = 75% to 100% charged



3 rapid high pitched beeps = 50% to <75% charged



2 rapid high pitched beeps = 25% to <50% charged



1 rapid high pitched beep = 1% to <25% charged

Setting up your Fly12 Sport

Inserting and removing the microSD card

- Your Fly12 Sport comes with a 64GB microSD card pre-installed.
- Your Fly12 Sport **MUST** have a microSD card installed to operate correctly.

To install a microSD card into your Fly12 Sport, press the card gently into the card slot of your Fly12 Sport until locked in place.

Please ensure the contact points on the microSD card are pointing upwards towards the top of the Fly12 Sport, as illustrated.

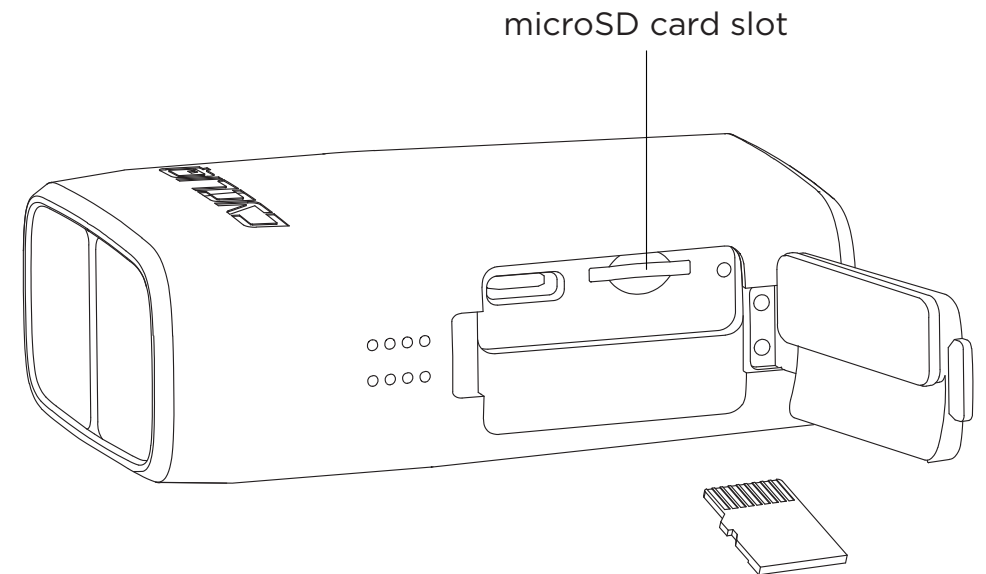
To remove your microSD card, gently press inwards on the microSD card until it releases from the microSD card slot.

Note

We highly recommend formatting your microSD card regularly. This will ensure your Fly12 Sport operates at peak performance and will guarantee your ride is always recorded.

The Fly12 Sport can easily format your microSD card - see [page 12](#).

More information on how to format your microSD card is available [here](#).



Setting up your Fly12 Sport

Mounting your Fly12 Sport

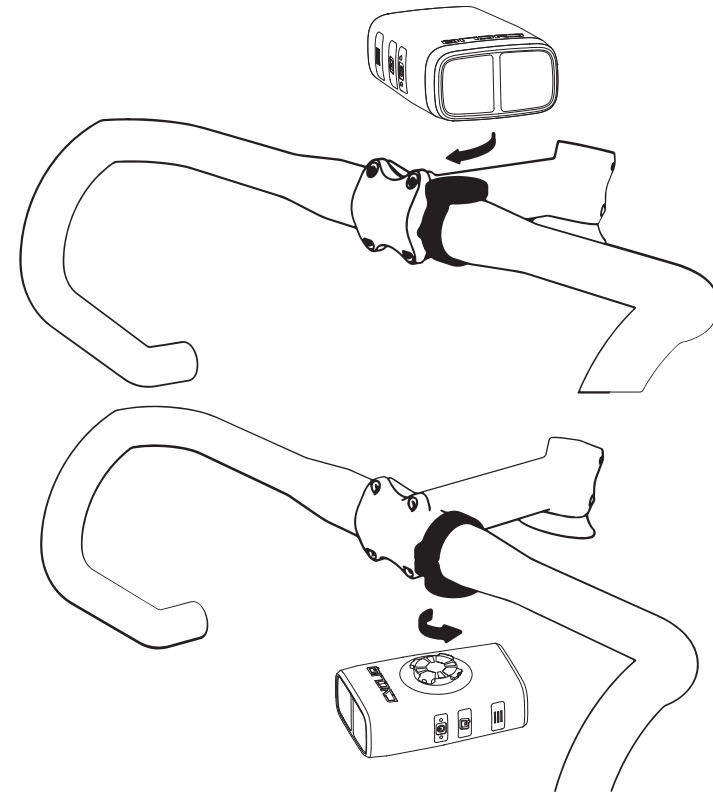
Your Fly12 Sport comes with a handlebar mount and a universal adapter that features the Cycliq 1/8th turn quick release system.

To mount:

1. Place the handlebar mount above or below the handlebar, ensuring that nothing will obstruct the field of camera view. If mounting to a 22.2mm bar install the appropriate rubber adapter then carefully torque the hex bolts to a max of 2Nm.
2. With the Fly12 Sport facing forward, and at a 45° angle, line up the quick release male component on the Fly12 Sport with the female receptor on the handlebar mount. Place the Fly12 Sport into the mount and make a 1/8th turn until the device clicks into a forward-facing position. A distinctive 'click' sound confirms the Fly12 Sport has been locked in place.

Note

If installing your Fly12 Sport using the universal adapter and a finned style mounting system, the process of operating the 1/8th turn is the same as above.



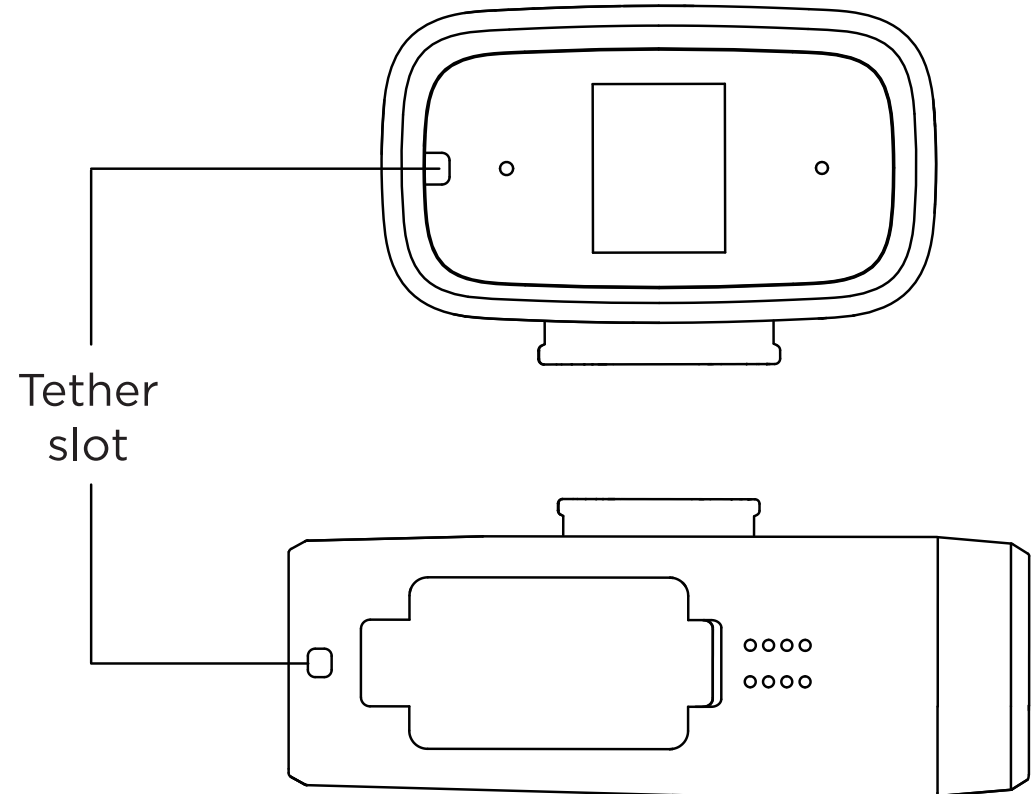
Note

Please ensure you have selected the correct orientation for recording on your Fly12 Sport. You can change and confirm your orientation by turning on your Fly12 Sport - see more on [page 11](#).

Setting up your Fly12 Sport

Attaching the safety tether to your Fly12 Sport

1. On the back and side of the Fly12 Sport there are two slots for the safety tether to be attached.
2. Thread the thinner part of the tether through the slots, then thread the other end through the loop to secure the tether.
3. We advise **ALWAYS** using your Fly12 Sport with the safety tether attached and secured around the handlebar or stem.



Setting up your Fly12 Sport

Changing your Fly12 Sport settings

Most primary functions of your Fly12 Sport can be controlled using the power, Q and function button on the side of the Fly12 Sport.

On the Fly12 Sport

- Most primary functions can be accessed using the power, Q and function button.
- The display screen on the rear of the Fly12 Sport is controlled by the function button.

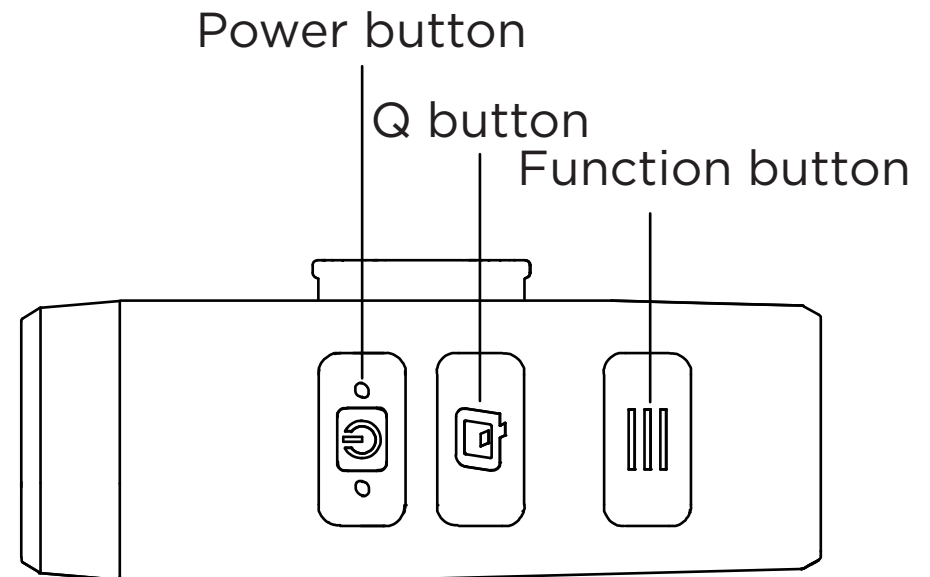
On the CycliqPlus mobile app

- There are some settings and features that are only accessible via the CycliqPlus mobile app. (*iOS and Android*)
- The CycliqPlus mobile app is available for download from the Apple store and the Google Play Store.



On the CycliqPlus desktop app

- This option offers similar functionality to the CycliqPlus mobile app. It is accessible on your PC or Mac when you plug the Fly12 Sport into your computer using the supplied USB cable. Alternatively, you can insert the microSD card into your computer using a microSD card reader.



Visual and audio alerts

Mode	Visual Alert	Audible Alert
Recording (75% to 100% charged)	Display: battery level shown on display screen LED: flashing red	Power On/Off 4 beeps
Recording (50% to <75% charged)	Display: battery level shown on display screen LED: flashing red	Power On/Off 3 beeps
Recording (25% to <50% charged)	Display: battery level shown on display screen LED: flashing red	Power On/Off 2 beeps
Recording (1% to <25% charged)	Display: battery level shown on display screen LED: flashing red	Power On/Off 1 beep
Power On (with SD card inserted)	(refer to above charge level)	Power On chime + battery level beep(s)
Power Off (with SD card inserted)	(refer to above charge level)	Power Off chime
No SD card	No SD card error on display screen	Error beep will continue every 30 seconds for 2 minutes
Incident Protection mode	Display: incident lock icon on display screen	3 rapid beeps when triggered
Manual footage capture	Display: manual lock icon on display screen	3 rapid beeps when triggered
USB Plugged in - Charging	Display: battery level shown on display screen LED: solid red	N/A
USB Plugged in - Fully charged	Display: battery level shown on display screen LED: solid green	N/A
Optional audible alerts for normal operation	(refer to above charge level)	Audible sound: 3, 5 or 10 minute beeps

Note

To listen to tones described in the table above visit the [Visual and Audio Alerts Guide for Fly12 Sport](#).

Features

Video resolution

The Fly12 Sport is equipped with a QHD camera. The lens has a 135° viewing angle providing an ultra-wide view. There are multiple video resolutions to choose from. More storage space and power will be used, the higher the resolution settings.

Video	Frames per second	Screen resolution
720p	120	1280 x 720 16:9
1080p	30 (HDR)	1920 x 1080 16:9
1080p	60	1920 x 1080 16:9
1440p	30	2560 x 1440 16:9
2160p	24	2880 x 2160 4:3

Note

2160p playback in 3840 x 2160 16:9.

The resolution of the recorded video can be toggled via *CycliqPlus*. [See page 28.](#)

High Dynamic Range (HDR)

HDR optimises footage when travelling through areas of light and dark. The Fly12 Sport support HDR in 1080p @@30fps.

Electronic Image Stabilisation

6-axis Electronic Image Stabilisation (EIS) provides enhanced image smoothness regardless of the terrain or surface you're riding on. This allows the Fly12 Sport to record smoother video in greater detail (please note this feature is not available in HDR mode.)

Note

Electronic Image Stabilisation can be toggled on/off via *CycliqPlus*.

Features

Looping function

The Fly12 Sport is designed as a 'set and forget' cycling accessory. The footage is set to record on a 'continuous loop', so you don't have to worry about running out of storage space on the microSD card.

When there is no free space left to record on your microSD card, the Fly12 Sport will start recording over the oldest available file first.

Any locked footage saved by the Fly12 Sport incident protection mode ([see page 24](#)) or manual footage capture ([see page 24](#)) will not be overwritten by the looping function.

The looping function cannot be turned off. This ensures that you are always recording your ride.

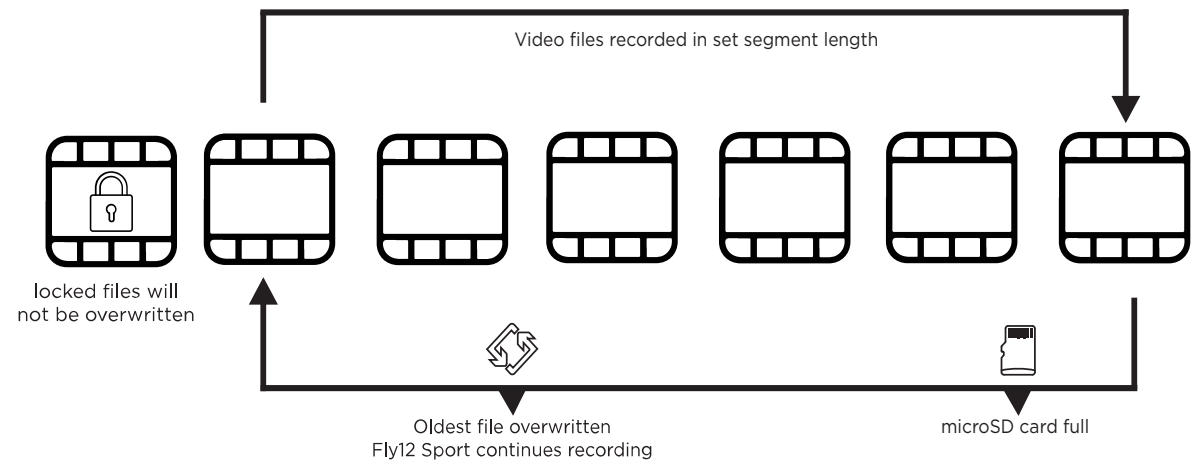
If you want to keep your ride footage, simply transfer it onto another storage device like a phone, computer, or hard drive.

You can use a [Cycliq microSD OTG Card Reader](#) to transfer files from your microSD card.

The maximum duration of video footage that you can record is dependent on the Fly12 Sport resolution, framerate settings and the storage size of your microSD card.

Note

The Fly12 Sport requires a compatible Class 10 microSD card. Not all micro sd cards are the same and may have differing read/write speeds. See our recommended list of [compatible microSD cards](#).



Features

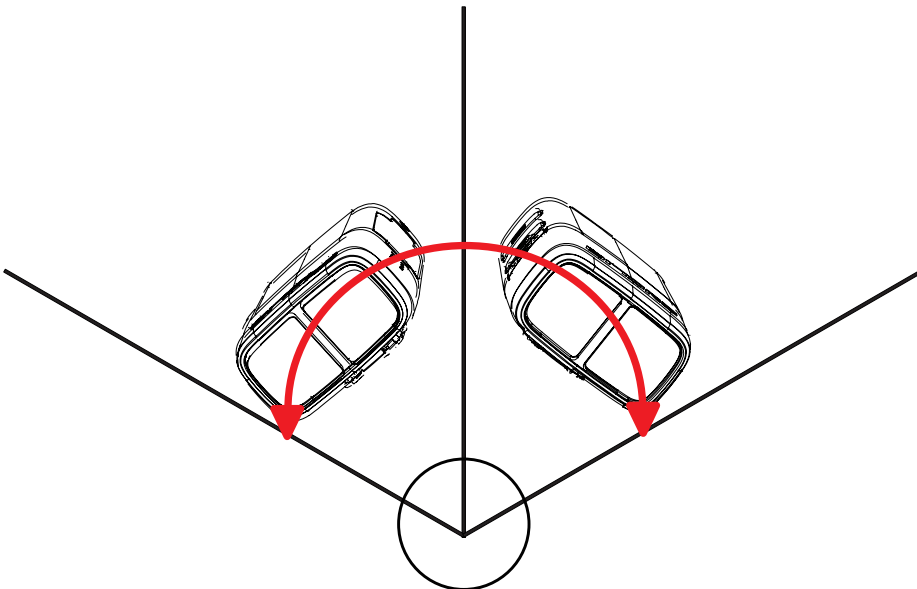
Incident protection mode

The Fly12 Sport has been designed to automatically save footage from major incidents.

Incident protection mode is activated when the Fly12 Sport is tilted more than 60° from vertical (or 30° from the ground) for more than five seconds. If this happens, the Fly12 Sport will lock the current and immediately preceding video files and will continue recording as normal.

Note

*The incident protection mode can be toggled on/off via CycliqPlus, **HOWEVER**, we strongly advise you leave incident protection mode active at all times.*



Manual footage capture

If you witness an event that you want to capture and retain when riding, simply press the Q button. This will lock the current and immediately preceding video files.

A lock icon will be shown on the display screen to confirm the manual footage capture.

Still image capture

The Fly12 Sport can take a still image while recording video.

You can do this by holding the Q button for 3 seconds. The still image capture is confirmed by a snapshot sound. A camera icon will be shown on the display screen to confirm the still image capture.

This image will be saved as a JPEG and can be accessed with the rest of your footage.

This feature enables you to capture images without having to take screenshots from video footage.

Features

Audio

The Fly12 Sport records high quality sound using an inbuilt microphone. It also has a speaker which is used for audible alarms and alerts.

Volume levels

The volume of the speaker can be set to low, medium or high.

Audio alerts

A recording alert notification can be set, which provides a confirmation chime at 3, 5, or 10-minute intervals to notify you that the Fly12 Sport is recording.

This is useful when you can't easily see the LED or display screen while riding.

The recording alert notification and volume of the audio can be customised via CycliqPlus.

Heat protection

The Fly12 Sport is designed with a heatsink, to allow the Fly12 Sport to be cooled down by wind as you ride.

With in-built sensors monitoring the temperature of the Fly12 Sport, if it ever reaches an abnormally hot temperature, the main LED will dim to cool the Fly12 Sport and ensure normal operation.

Cycliq Quick Release System

The Fly12 Sport is mounted and removed from the handlebar mount using a 1/8th turn.

To find compatible Cycliq mounting systems, visit [Cycliq accessories](#).

Idle mode

Idle Mode is intended to assist with battery management. If Idle Mode is active, the Fly12 Sport turns off automatically after sensing no movement for 15 minutes. You can turn the Fly12 Sport back on as you normally would when you return to using it.

Idle mode can be toggled on/off via CycliqPlus.

Note

Cycliq recommend familiarising yourself with this function before using it, as this mode can prevent your ride from being recorded. Idle mode should only be used with audible alerts on, so you are aware if the Fly12 Sport is turned on.

Features

Video segment length

Footage is saved in chronological order in 3, 5 or 10-minute segments, with each segment creating a separate video file.

Smaller segments create video files that are more convenient to move and edit, and use less memory.

Larger segments are likely to capture more time either side of an incident, but use more memory.

Note

Longer video segments length allows you longer to find a safe place to pull over and manually capture footage.

The table below gives an indication of approximate file size per segment length:

Example at 1440p QHD @30fps

Segment Length	Approx. File Size
3 minutes	700 MB
5 minutes	1.17 GB
10 minutes	2.34 GB

Video segment length can be changed via CycliqPlus.

Using your footage

Accessing your footage

You can view and edit your footage using the CycliqPlus desktop app.

Go to cycliq.com/software to download CycliqPlus for macOS or Windows.

After your ride, you can access your footage in a number of ways:

1. Connect the Fly12 Sport to any PC or Mac using the supplied USB cable.
2. Remove the microSD card and read data using your PC or Mac SD card slot.
3. Using a [Cycliq microSD OTG Card Reader](#).

Editing footage

You can edit your footage using CycliqPlus on desktop and mobile. From here you can also overlay Strava metrics and share highlights from your ride.

CycliqPlus mobile app

All Fly12 Sport settings can be managed using CycliqPlus mobile app - available for iOS and Android.



Connecting to your mobile device

Your Fly12 Sport uses Bluetooth® for connection to your iOS or Android device.

Connecting for the first time

The first time you connect your Fly12 Sport to your mobile device you will need to follow the below steps to enable Bluetooth.

1. Turn on your Fly12 Sport by pressing and holding the power button.
2. Open CycliqPlus mobile app and make sure Bluetooth is enabled on your mobile device.
3. Select your Fly12 Sport from the menu.
4. The Bluetooth icon will appear on the Fly12 Sport's display screen when a connection is established.

Time and date settings

The Fly12 Sport will automatically sync with the time and date settings from your smartphone when connecting to the CycliqPlus app.

Note

You can also manually input the date and time via the CycliqPlus desktop app.

Light mode settings

This function allows you to select which light options will be available on your Fly12 Sport - [see page 8](#).

Audio settings

Set the volume of the audible alerts on your Fly12 Sport.

Video resolution

The resolution the Fly12 Sport records in can be customised.

Video segment length

Video segment lengths can be set to 3, 5 and 10 minute intervals.

Electronic Image Stabilisation

The Fly12 Sport has 6-axis image stabilisation. This function can be toggled on/off via CycliqPlus.

Idle mode

This function can be toggled on/off via CycliqPlus.

Video logo timestamp display

This function can be toggled on/off via CycliqPlus.

Note

Timestamp can be an important feature should you require the footage for legal purposes.

Updating firmware

Making sure you have the most up to date firmware will give you the best Cycliq experience possible.

Cycliq Plus firmware auto updater

Download the macOS or Windows version of the firmware auto updater app from the links below, open on your desktop and follow the on screen instructions. Firmware will be updated automatically to the latest version

Visit our [CycliqPlus Firmware Updater](#) download page on [cycliq.com](#).

Troubleshooting

Reset

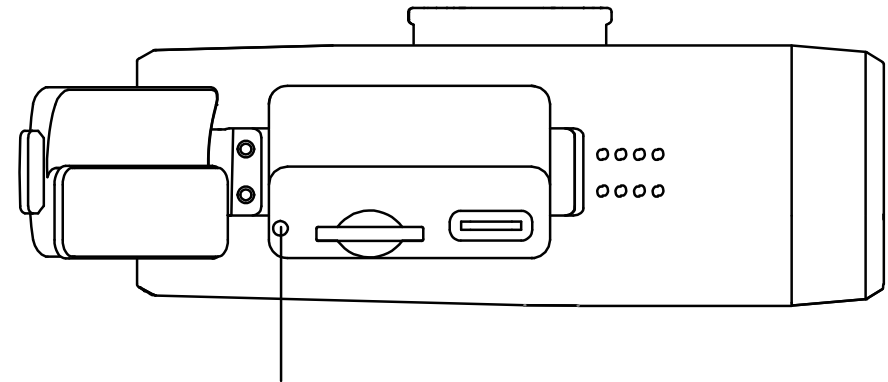
If a reset is required, the reset button is located within the small cut out as illustrated. Carefully use a fine object to press the reset button to perform the reset. Please note the Fly12 Sport will not automatically turn back on. Please turn your Fly12 Sport on to confirm the reset was successful.

 **WARNING**

DO NOT complete a master reset when the Fly12 Sport is in the process of completing a firmware update, as this may damage your Fly12 Sport.

Still need help?

Go to [Fly12 Sport help page](#) where you can view help topics and contact our friendly support team for help on troubleshooting any issues you may be having.



Reset button

Technical data

Name	Fly12 Sport
Model	CE123
Product description	QHD bike camera + front light
Height	33mm
Width	55mm
Depth	81.2mm
Weight	148g (5.22oz)
Battery	Rechargeable lithium ion battery
Battery size	3000mAh (up to 7 hours in camera only mode)
Watt hours	11.10Wh
Voltage	3.7V (battery)
Ingress protection	IP56
Operating temperature / humidity	0-45°C (32-113°F)
Storage temperature / humidity	0-45°C (32-113°F)

Compliance statements

Federal Communications Commission (FCC) compliance statement

This device complies with Part 15 of the FCC Rules. Operation is subject to the following two conditions: (1) this device may not cause harmful interference, and (2) this device must accept any interference received, including interference that may cause undesired operation. Changes or modifications not expressly approved by the party responsible for compliance could void the user's authority to operate the equipment.

This equipment has been tested and found to comply with the limits for a Class B digital device, pursuant to Part 15 of the FCC Rules. These limits are designed to provide reasonable protection against harmful interference in a residential installation. This equipment generates, uses and can radiate radio frequency energy and, if not installed and used in accordance with the instructions, may cause harmful interference to radio communications. However, there is no guarantee that interference will not occur in a particular installation.

If this equipment does cause harmful interference to radio or television reception, which can be determined by turning the equipment off and on, the user is encouraged to try to correct the interference by one or more of the following measures:

- Reorient or relocate the receiving antenna.
- Increase the separation between the equipment and receiver.
- Connect the equipment into an outlet on a circuit different from that to which the receiver is connected.
- Consult the dealer or an experienced radio/TV technician for help.

Industry Canada (IC) compliance statement

This device complies with Industry Canada license-exempt RSS standard(s). Operation is subject to the following two conditions:

- (1) this device may not cause interference; and
- (2) this device must accept any interference, including interference that may cause undesired operation of the device.

Le présent appareil est conforme aux CNR d'Industrie Canada applicables aux appareils radio exempts de licence. L'exploitation est autorisée aux deux conditions suivantes:

- (1) l'appareil ne doit pas produire de brouillage, et
- (2) l'utilisateur de l'appareil doit accepter tout brouillage

radioélectrique subi, même si le brouillage est susceptible d'en compromettre le fonctionnement.

Note

This equipment has been tested and found to comply with the limits for a Class B digital device, pursuant to Part 15 of the FCC Rules. These limits are designed to provide reasonable protection against harmful interference in a residential installation. This equipment generates, uses and can radiate radio frequency energy and, if not installed and used in accordance with the instructions, may cause harmful interference to radio communications.

Regulatory information

Caution

To maintain compliance with the RF exposure guidelines, place the unit at least 20cm from nearby persons.

Warning

Changes or modifications to this unit not expressly approved by the party responsible for compliance could void the user's authority to operate the equipment. Risk of explosion if battery is replaced with an incorrect type. Dispose of used batteries according to the instructions.

Limited warranty

For comprehensive warranty information refer to <http://www.cycliq.com/warranty>

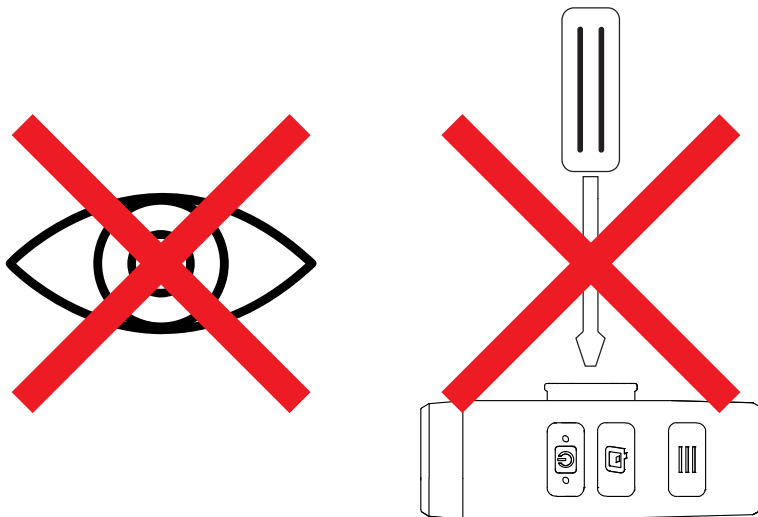
Cycliq customer support

Please go to support.cycliq.com for further information and support.

Caution

Cycliq recommends the following:

- Do not look directly at the light.
- Do not leave the light on when not in use.





CYCLIQ.COM

 PO Box 404
Subiaco WA 6904
Australia

 info@cycliq.com

FLY12 SPORT

User Guide - Version 1.0.1